

Post Intermediate Midi

TECHNICAL SPECIFICATIONS



accessories for vineyards and orchards

Via Gitti, 56 - 25060 Marcheno (BS) Italia tel. +39 030 861272

fax +39 030 8966654 e-mail info@vineyardstore.net www.vineyardstore.net

More stable, more convenient and more durable of the classic solutions, our hot dip galvanized post are the latest big new of a company leader in developing of innovative products.

Our patent UltraSTEEL allows us to increase the strength of the pole as much as 20%, but nevertheless we don't have reduced the thickness.

Convenient thanks to intermediate recommended between 5 and 6 feet.

Thicknesses from 1.5 to 1.8 mm (Ultra), among the highest in the market

Our post Midi increases the contact area between the post and the earth by 22% making it more stable in the ground, thanks to our innovative system UltraStell.

The post Midi can be rotated 180 degrees and with its unique spring effect can return to its original position without suffering deformation.

It is available with support tab and it is suitable for mechanical harvesting.

Outstanding durability to corrosion in both hot-dip galvanized versions : Z275 pre-galvanized alloy with 25 microns of zinc surface; post hot dip galvanized with an average of 143 micron zinc surface layer, but much more at the base, where it is needed most.

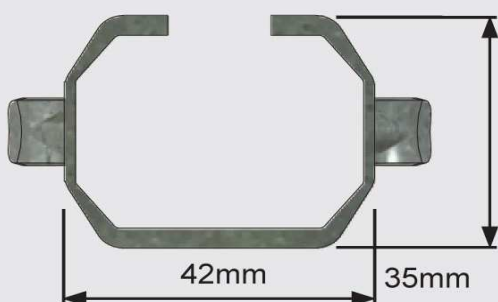
Our posts are environmentally friendly as produced with 30% of materials from recycled and comply with the EN ISO 14001 standard for environmental management, safety and quality.



Length: 1.80m - 2.50m

Gauge: 1.5mm

Cross section:



NAME	TYPE	SECTION	AVAILABLE LENGTH	FINISHING	THICKNESS	WEIGHT FOR LINEAR METER
MIDI	Post interm. pre-galvanized	mm 35X42	1,80 to 2,50 meters	Post-galvanized 25 Micron	1,5 to 2,5 mm (ultra version)	Kg. 1,12
MIDI	Post interm. post-galvanized	mm 35X42	1,80 to 2,50 meters	Post-galvanized 143 Micron	1,5 to 2,5 mm (ultra version)	Kg. 1,22

The hot-dip galvanized post is particularly suitable for areas next to the sea.

We recommend that you put a stake every 5 seedlings, then about 5/6 meters, and to a depth of about 50/70 cm depending on the terrain.

The post Midi is used as inter-row post for lengths up to 100 meters.

Together with the Midi post, the Head post recommended is the Maxi post.